

2

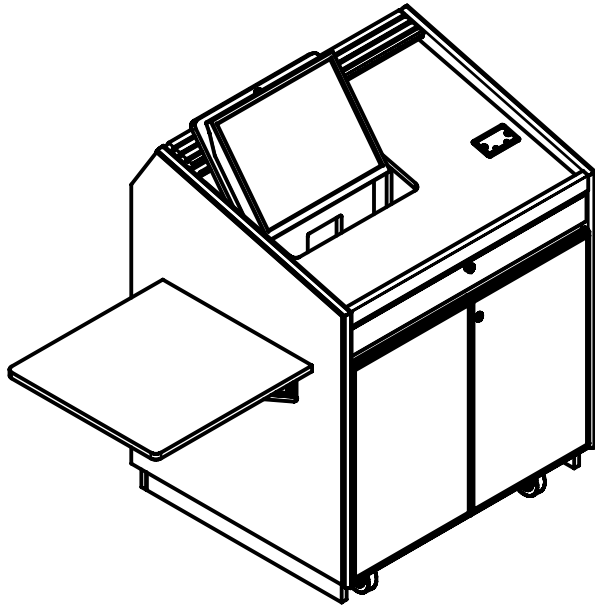


1

# Standard MT-100,092609

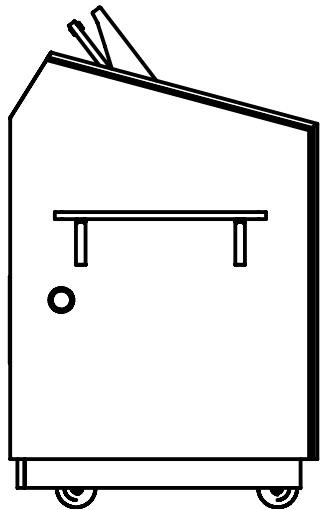
- 1- Flip-up document shelf
- 1- Flip-n-store to accept 19" LCD monitors
- 1- Rectangular cable grommet on presenters right.
- 2- Adjustable shelves
- 1- Power Conditioner w/remote switch
- 1- Cooling Fan
- 1- Removable Front access hatch
- 1- Ergonomic keyboard tray
- 1- Speaker shelf
- 4" smooth rolling casters, 800 lb. max

(Note when ordering; All changes or modifications need to be from the presenters view.)



B

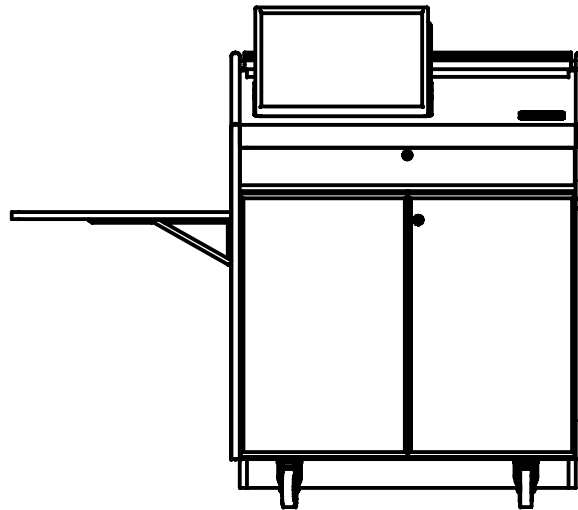
B



Presenters Left

A

A

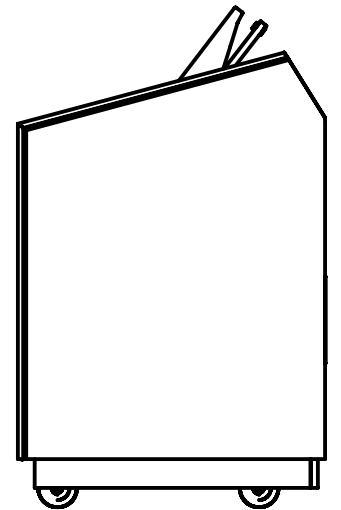


Presenters View



1

2



Presenters Right