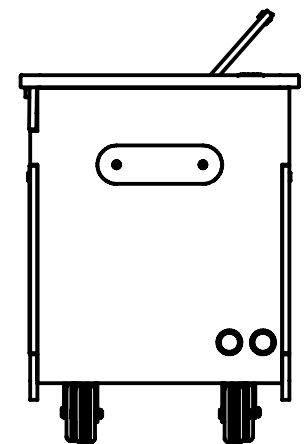
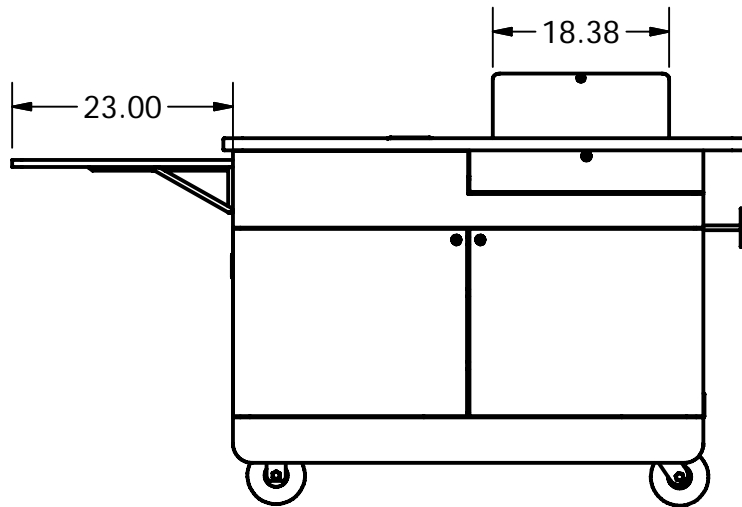
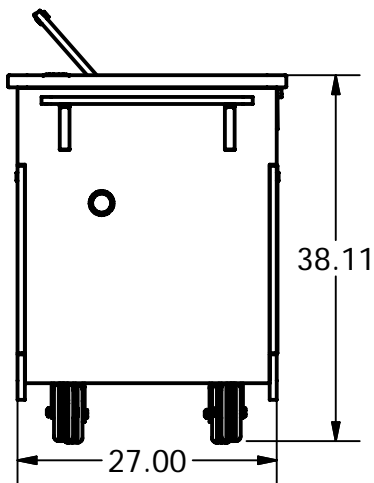
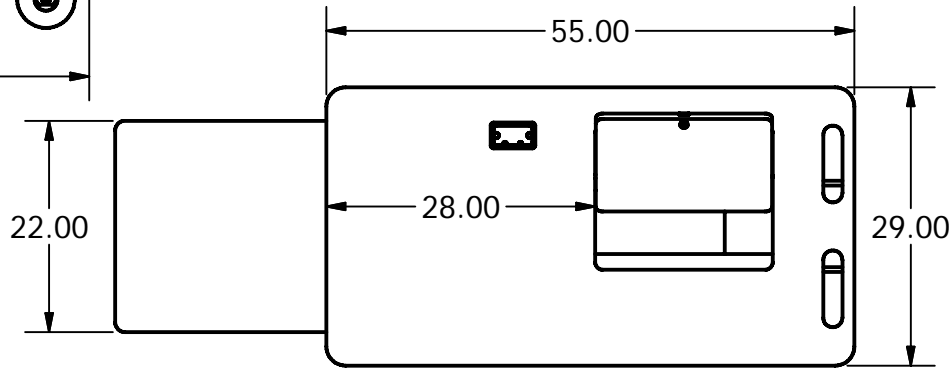
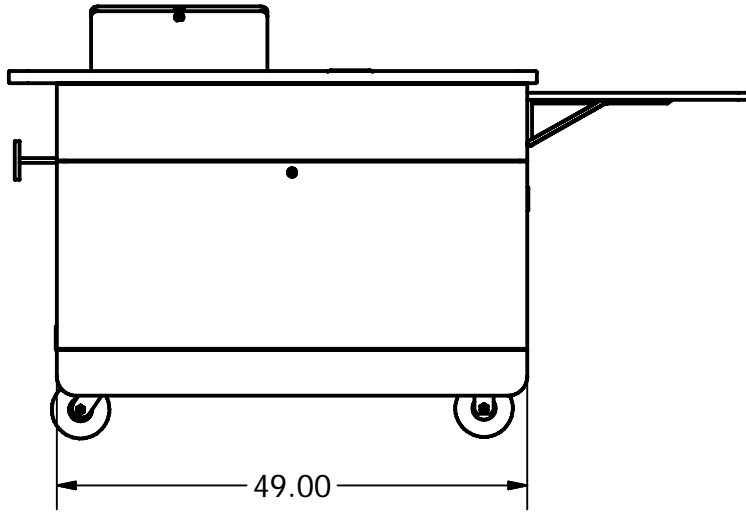


# MT-200 Standard 091509

Heavy Duty semi-pneumatic casters.  
Hardwood core laminated plywood.  
MDF doors and access panels for stability.  
Flip-N-Store for a 19" wide screen.  
Flip-up document camera shelf.  
Rectangular cable grommet for laptop.  
Flap-down keyboard drawer.  
Cutout for cooling fan.  
Cable grommets for power and umbilical options.  
Umbilical cable holder  
Shelving unit (19" Rack dimensions)



Presenters View

Umbilical mount