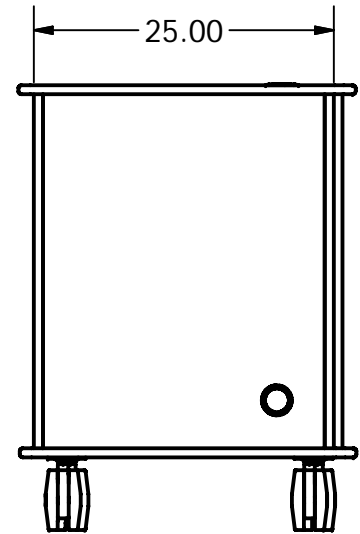
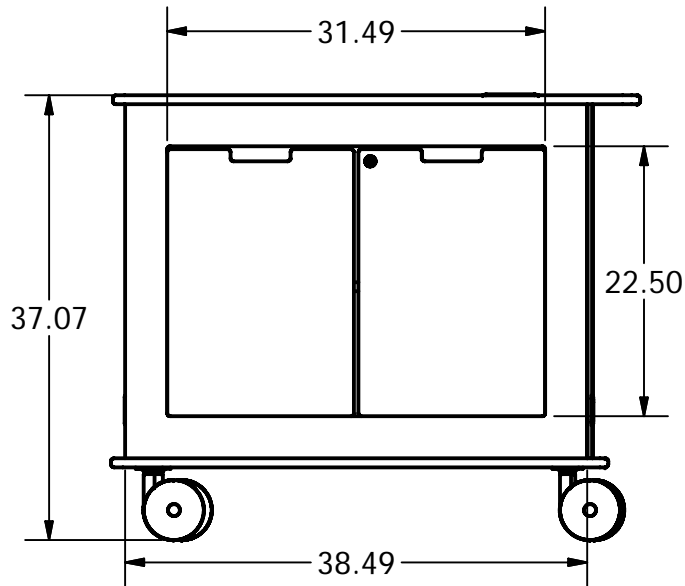
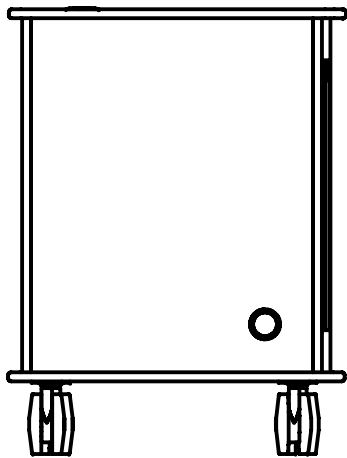
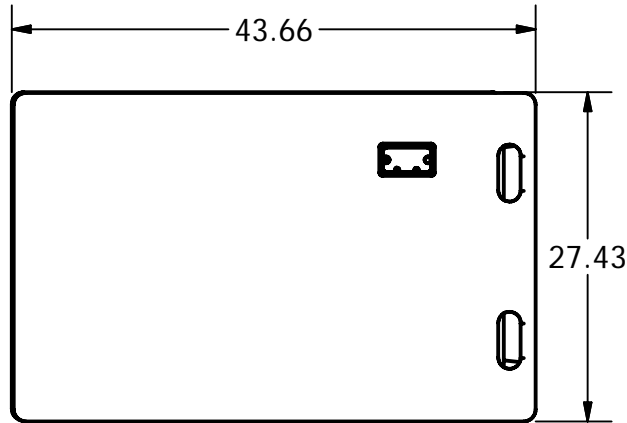
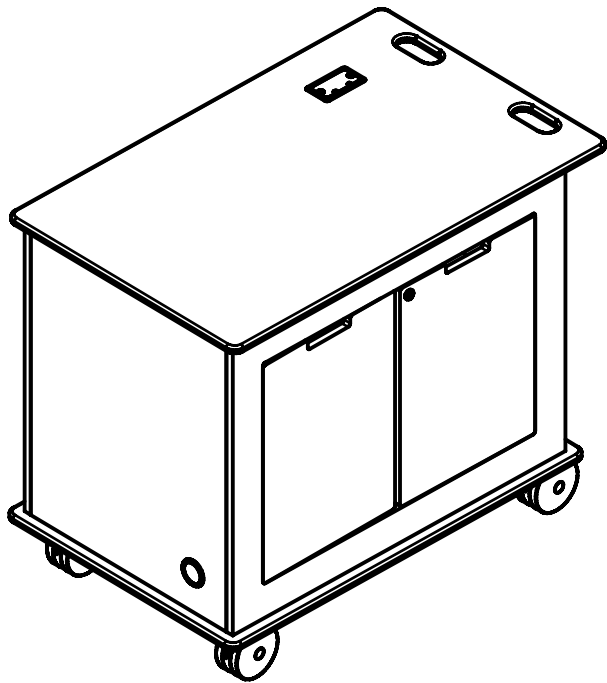


MT-225 Standard 091609

Standard features for the MT-225
5" twin disc casters, 700 lb. rated.
Black sparkle laminate top.
Almond exterior laminate.
Rectangular cable grommet.
Cutout for optional cooling fan.
1- Adjustable shelf.
Notched doors for pullout cabling.
Lockable doors.



Presenters View