

MT-600 Standards 092509,

Kensington maple laminate over verneer core plywood. Black laminate top and base.

Rack cabinet with 14 RU rack rails.

Lockable door and drawer.

Lockable front access panel.

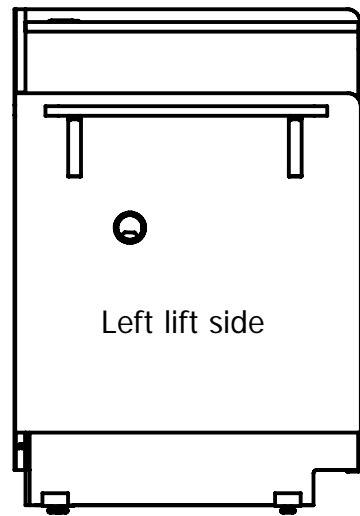
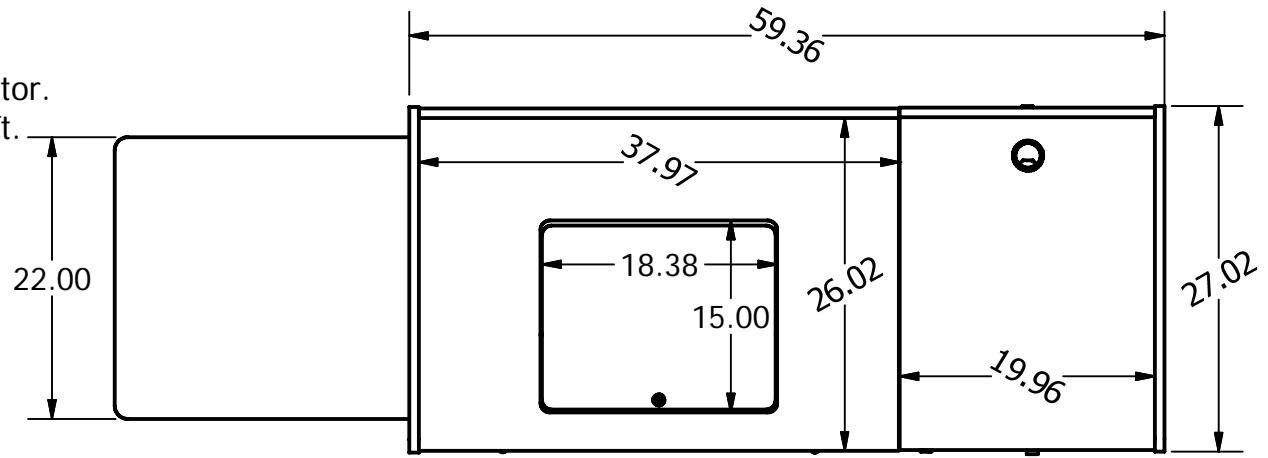
Flip-N-Store for a 19" wide screen LCD monitor.

Flip-up document shelf on the presenters left.

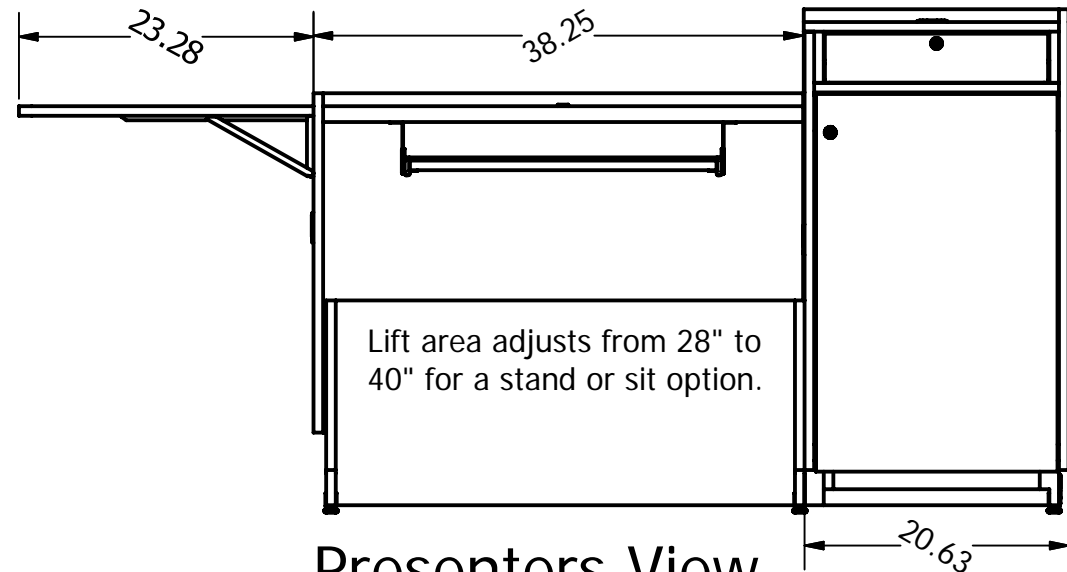
Pull-out keyboard mouse tray.

Cutout for optional cooling fan.

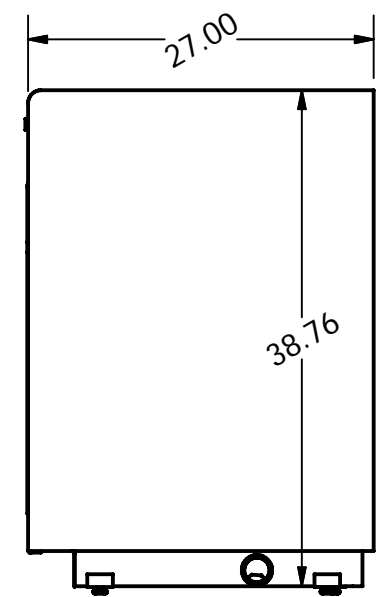
Manual crank lift.



Left lift side



Presenters View



Rt. Cabinet side