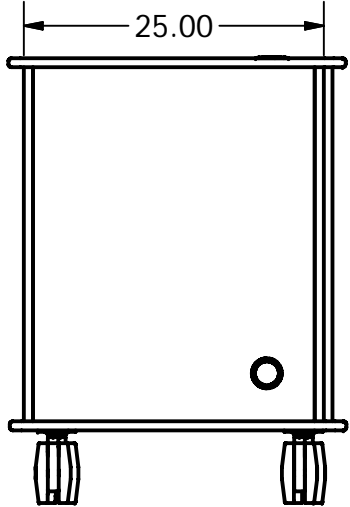
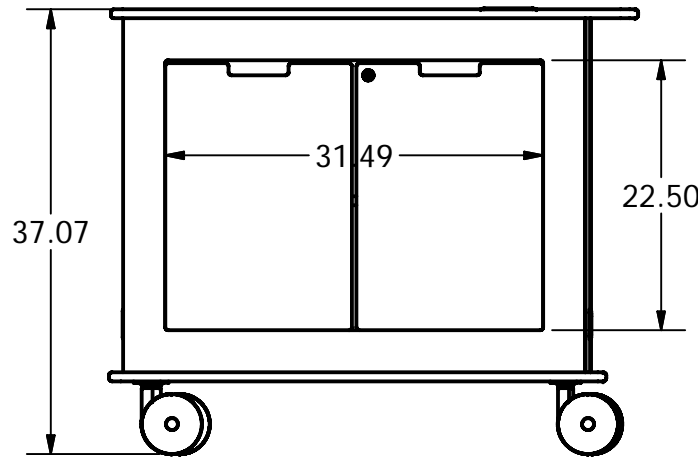
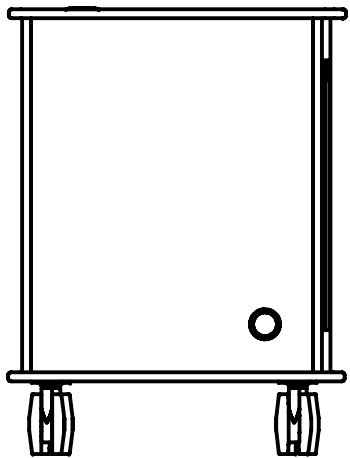
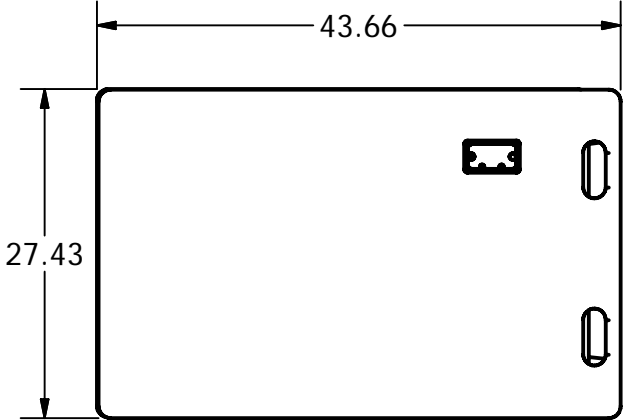
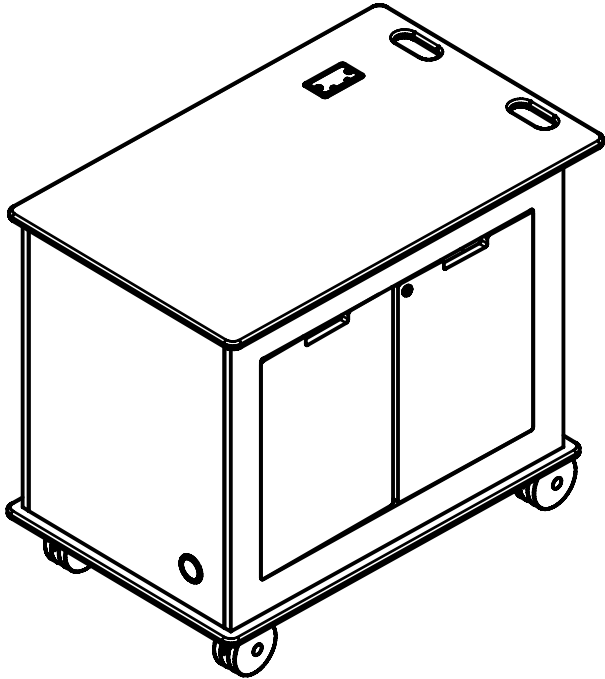


MT-700-K12, 091809

Standard features for the MT-700-K12  
5" twin disc casters, 700 lb. rated.  
Black sparkle laminate top.  
Almond exterior laminate.  
Rectangular cable grommet.  
Cutout for optional cooling fan.  
1- Adjustable shelf.  
Notched doors for pullout cabling.  
Lockable doors.



Presenters View