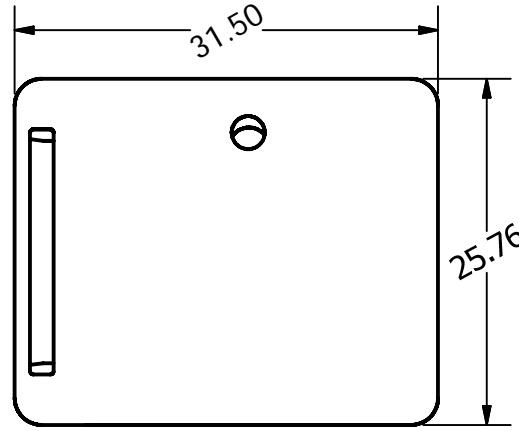
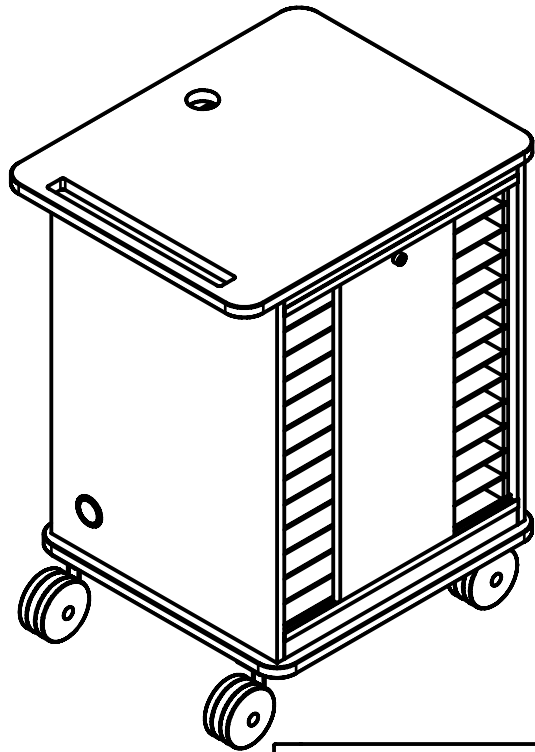
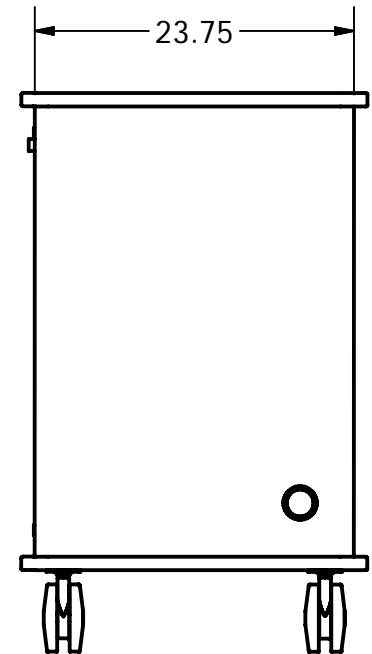
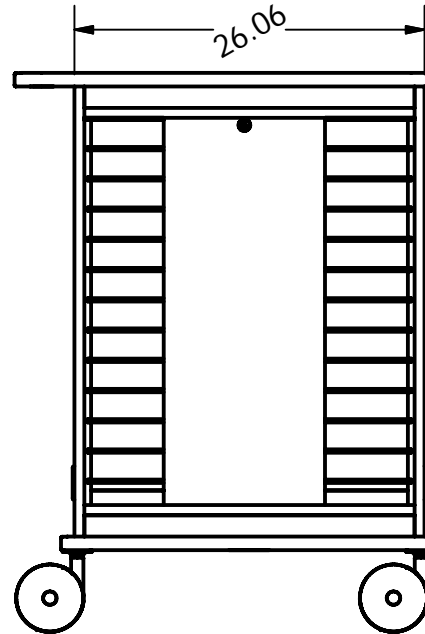
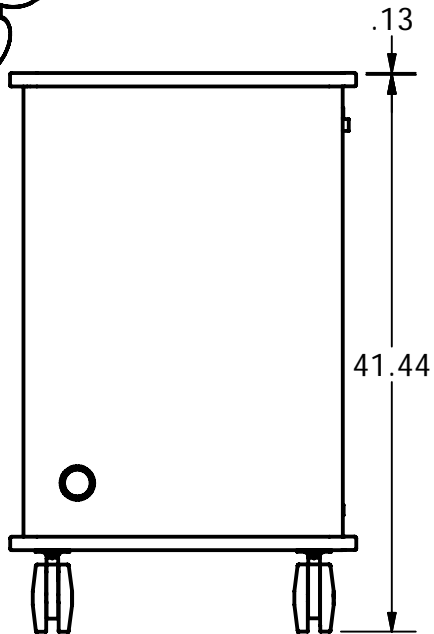


MT-LC-24,092609



Standards for the MT-LC-24.
Almond laminate over verneer core plywood.
Black sparkle laminate top and bottom.
700 lb. 5" twin wheel casters.
24- steel laptop pans.
Locking rear doors for power access.
Locking front slider door.



Presenters View