

Relay Module 1

PART#

MT-RM1-CM-B (board only)

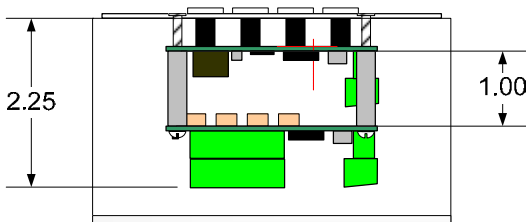
MT-RM1-CM-E (with enclosure)

DESCRIPTION

The Mediatech MT-RM1-CM series Relay Module provides serial control of 8 sets of relay contacts for low voltage relays for component control. The form-factor allows this module to be used as a board only (part # MT-RM1-CM-B) that fits inside a standard 1-gang space underneath a Mediatech ButtonMate Control Panel. The enclosure version (part # MT-RM1-CM-E) provides the flexibility to use this Relay Module with any control solution. The Relay Module uses a simple yet powerful RS-232 command set to implement any single or multiple relay control function. Control functions supported include relay set, reset, toggle, and pulse to either set or reset state for a user specified duration. Front panel lights indicate the current status of each relay. The serial port also provides a buffered feed-through so that it does not require a dedicated RS-232 port for control and also allows for multiple relay modules to be daisy-chained and individually addressed. The Relay Module is an excellent complement to any control system where relay control interfaces are needed.

FEATURE SUMMARY

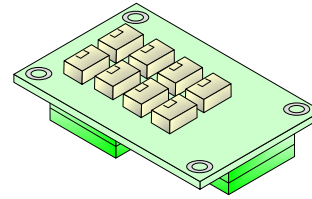
- 8 Relay Control Ports (Normally Open Standard)
 - Front Panel Relay State Status Lights
 - Robust Relay Control (Set/Reset, Toggle, Timed Pulse and combos)
 - Contact Rating = 0.3A @ 125 VAC, 1A @ 24 VDC
- Front Panel Operational Status Lights
- Simple instruction command set provides easy control
- Expansion Serial Port Provides Daisy-Chaining Capability
 - Up to 99 (792 relays) uniquely addressable modules can share a single RS232 control bus
- Configurable Serial Control Port
 - Bauds 1200 to 57600 bps, 8 data bits, parity
- 1-gang form factor for flexible mounting in a wall box or within the optional enclosure



The combined depth of the ButtonMate BMXL panel and Relay Module is approximately 2.25

The Relay Module can be used in conjunction with any controlling device such as the Mediatech ButtonMate Control Panel. The form factor is designed specifically to fit under a ButtonMate XL (shown in the graphic to the right) or ButtonMate Control Panel inside a deep wall box.

For help with your application contact Mediatech or your local Mediatech Dealer.



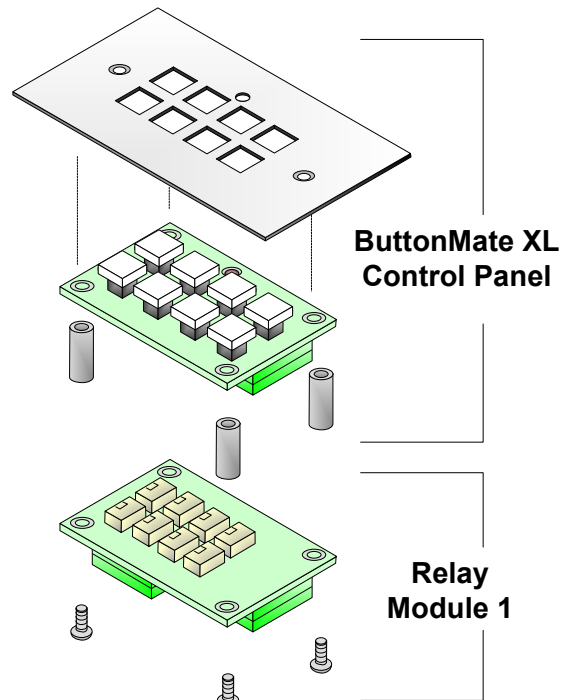
Relay Module Board



Enclosure

SPECIFICATIONS

Power	6VDC @ 0.5A
Enclosure (optional)	Power Coated Aluminum with open bottom
Dimensions	Board: 2.8 L x 1.7 W Enclosure: 3.7 W x 3.8 L x 1.5 H
Interfaces	Power/RS232: 7 pin pos captive screw connector Relay Ports: dual 8-pin captive screw connectors
Relays	Contact Rating 0.3A @ 125VAC / 1A @ 24 VDC
Weight	TBD
Warranty	3 Years parts and labor
Included Items	MT-RM1-CM-B: Mating Connector & Standoff Kit User Manual MT-RM1-CM-E: 6VDC power supply (or comparable) Mating Connector User Manual
Optional Items	Enclosure



Exploded View: BMXL control panel with Relay Module Board